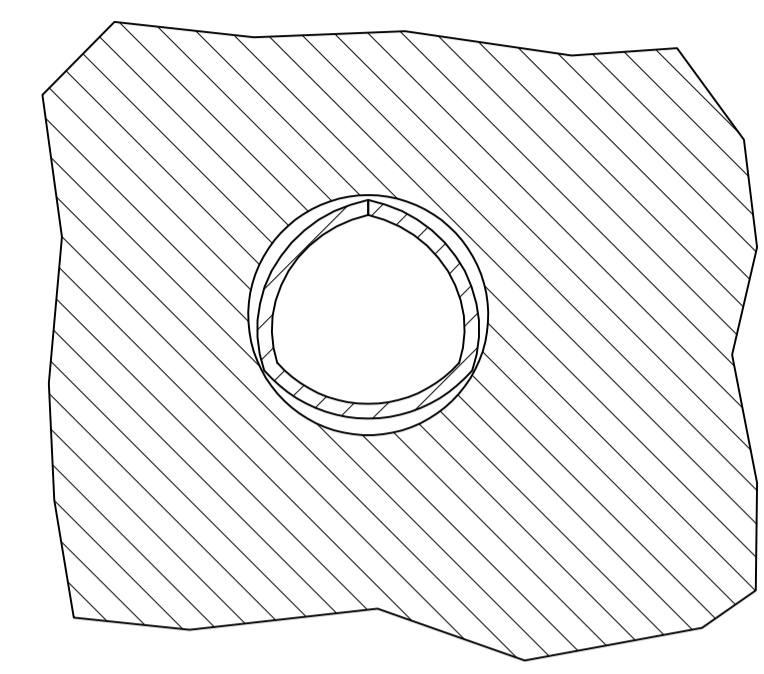
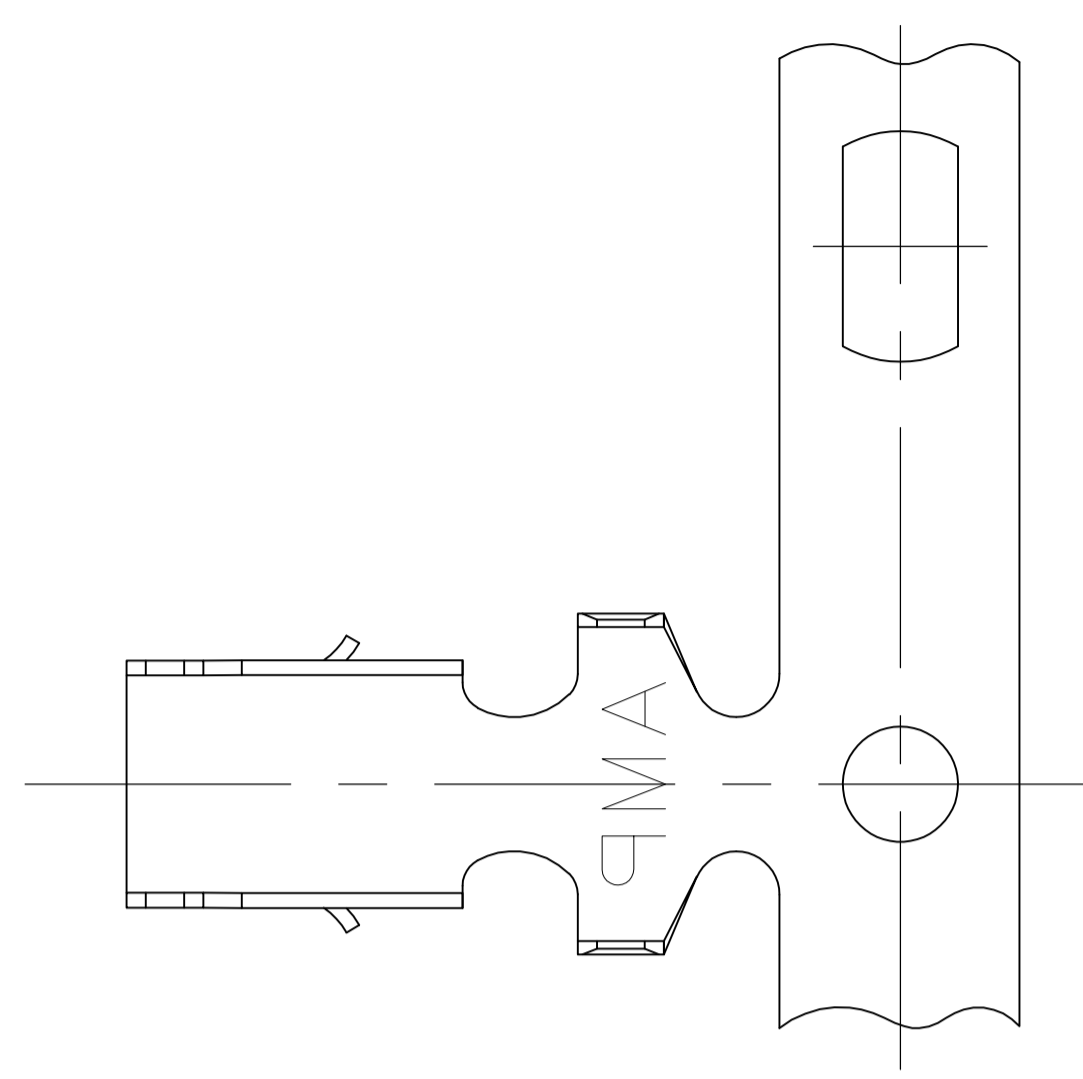
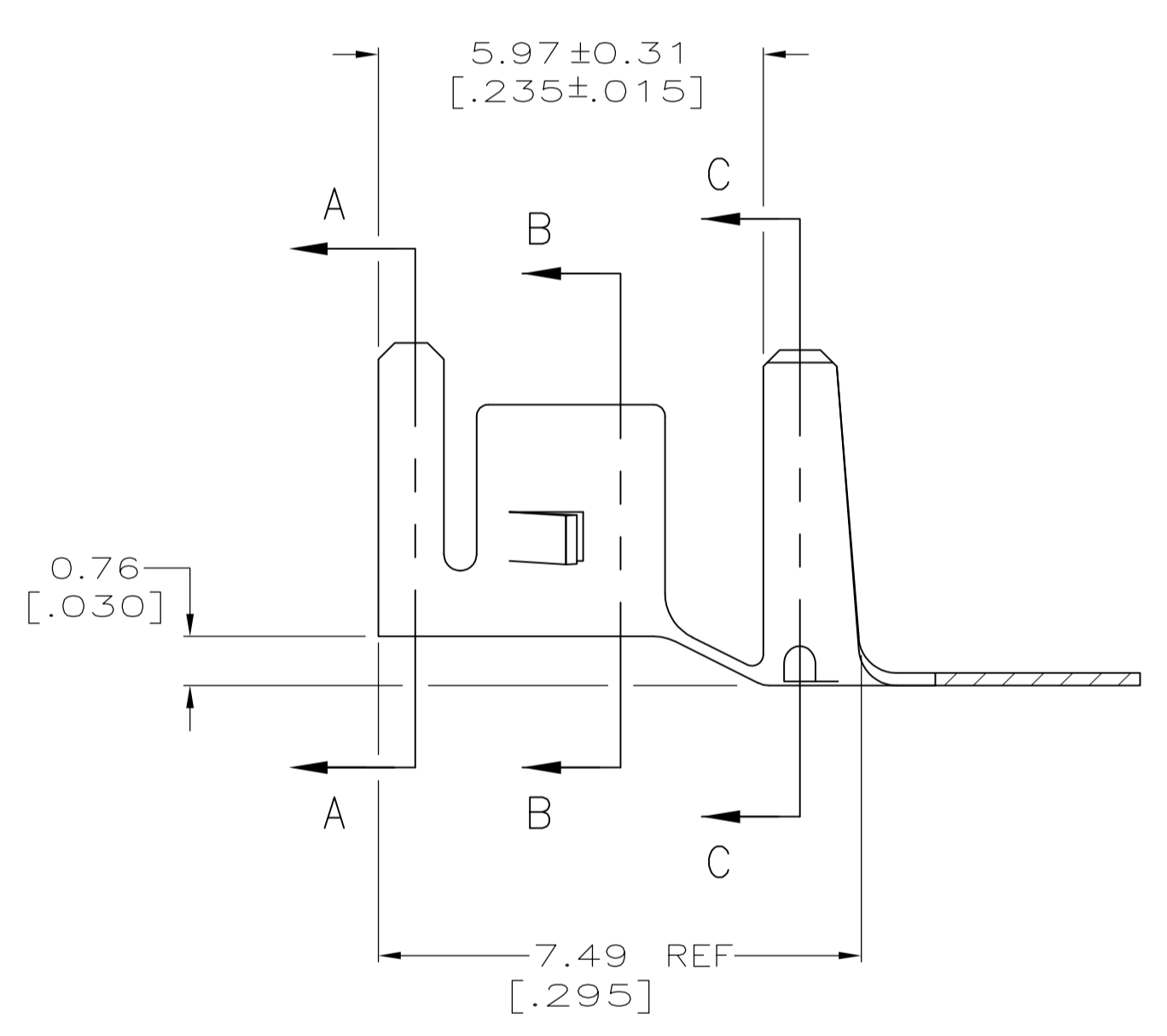


LOC		DIST		REVISIONS			
CM	00	REV	DESCRIPTION	DATE	DMN	APVD	
B2			REVISED PER ECO-12-014997	23AUG12	KH	SM	

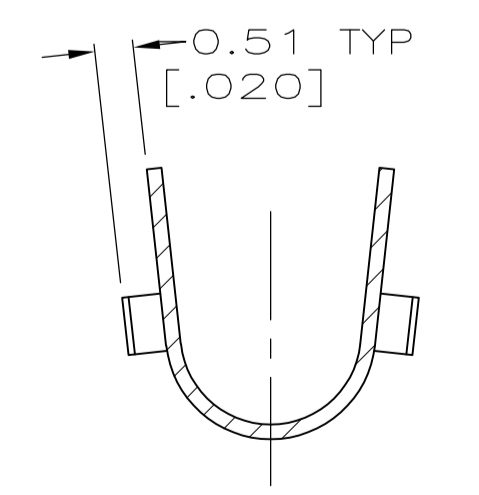
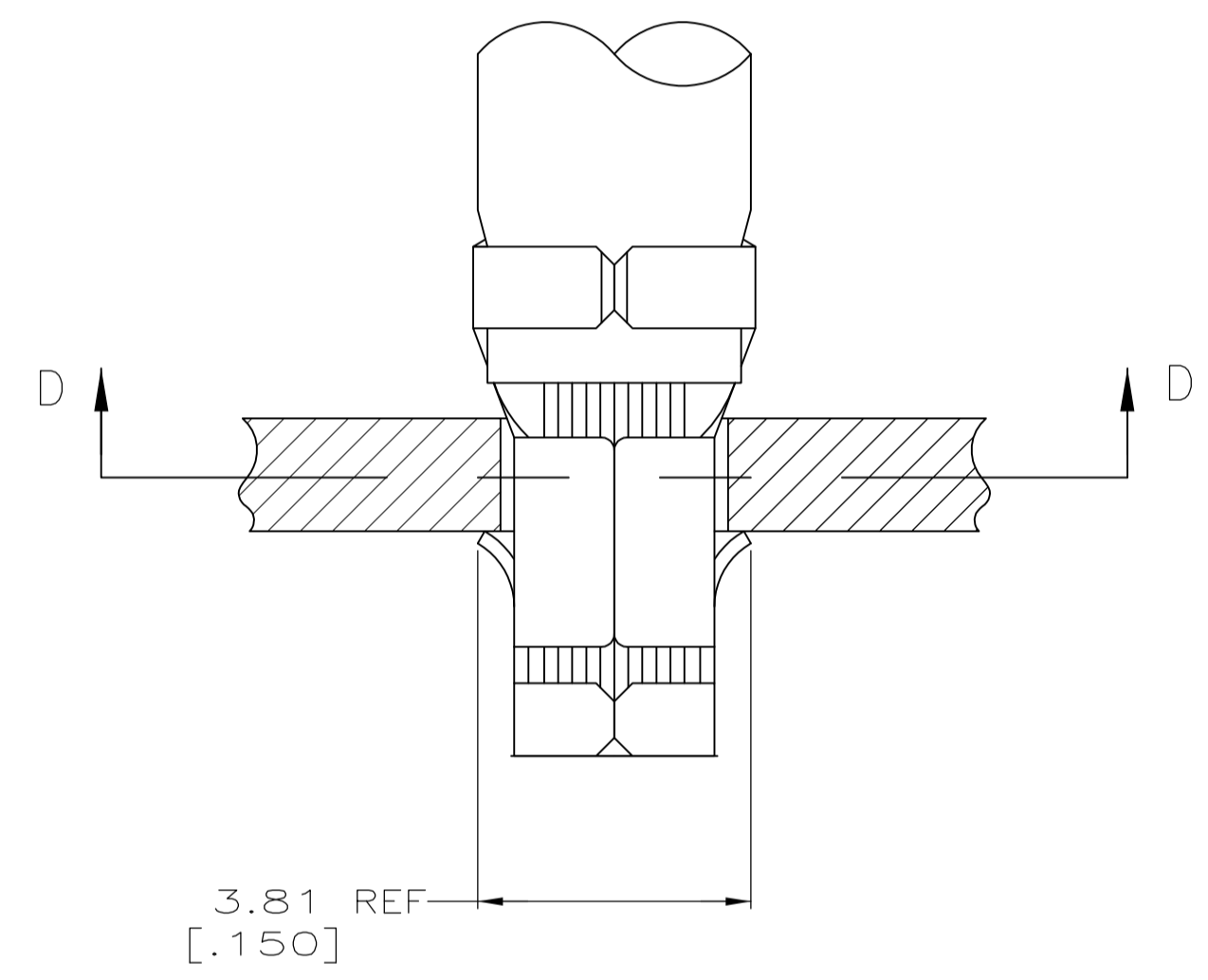
- 1 PARTS COMPLY WITH AMP SOLDERABILITY SPEC 109-11-5.
- 2 0.00508 [.000200] MIN BRIGHT TIN-LEAD.
- 3 WIRE RANGE: 3 mm² (12 AWG).
- 4 INSULATION RANGE: 2.29 - 3.81 [.090 - .150] DIA.
- 5 DIMENSIONS IN BRACKETS ARE IN INCHES.
- 6 0.00508 [.000200] MIN BRIGHT TIN.



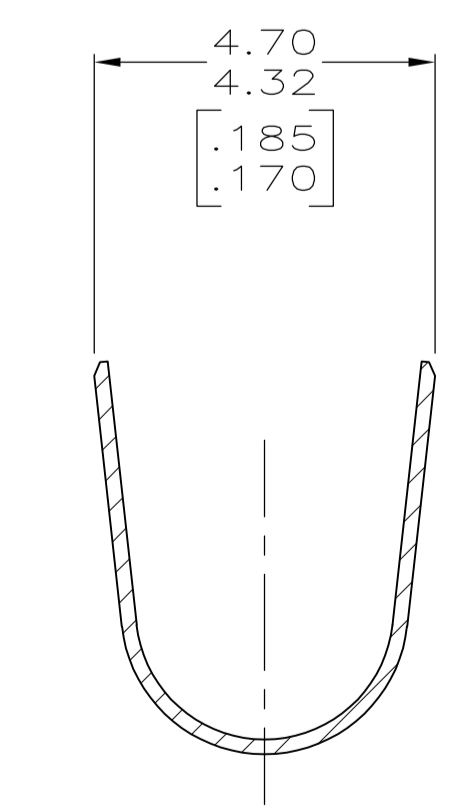
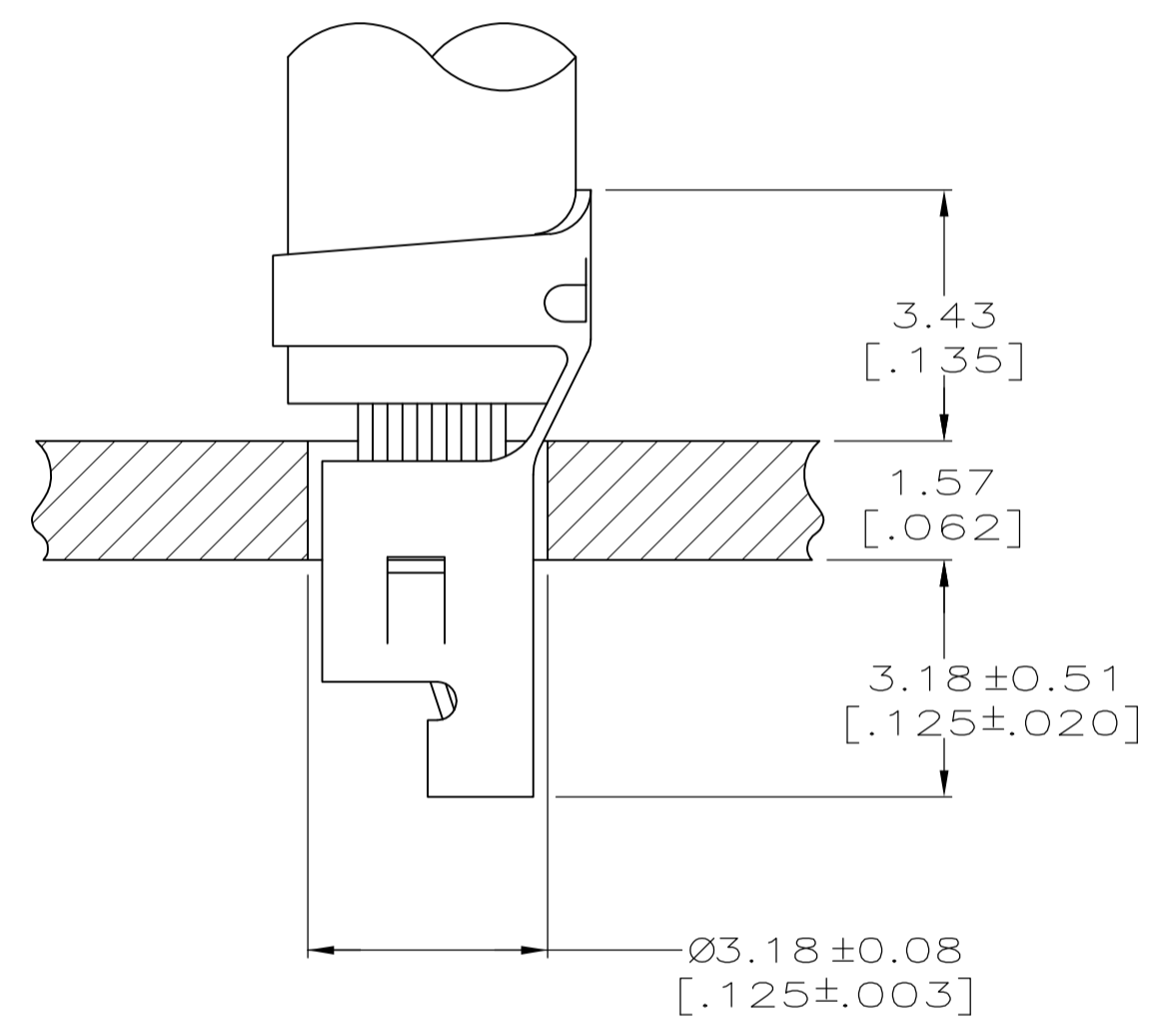
SECTION D-D



SECTION A-A



SECTION B-B



SECTION C-C

6	3-794013-1
2	794013-1
FINISH	PART NO.

SUPERSEDED BY 3-794013-1

THIS DRAWING IS A CONTROLLED DOCUMENT.		DIN S. CARPENTER 21AUG2003		APVD J. ELLIS 21AUG2003		NAME		TE Connectivity	
DIMENSIONS: INCHES		TOLERANCES UNLESS OTHERWISE SPECIFIED:		APPLICATION SPEC		SIZE		RESTRICTED TO	
0 PLC ±		1 PLC ±		114-1016		CAGE CODE		DRAWING NO	
2 PLC ±		2 PLC ± 0.13 [.005]		WEIGHT		A1		00779	
3 PLC ±		3 PLC ±		CUSTOMER DRAWING		SCALE		10:1	
4 PLC ±		4 PLC ±		MATERIAL		0.198 [.0078] PH BRZ		SHEET	
ANGLES ±		FINISH		00779		C=794013		1 OF 1	
								REV	
								B2	

METRIC